

AN AMERICAN MUSIC



IS



Sounds of New Orleans



BORN

By Rocco Carioto c 2022





AMERICAN MUSIC IS BORN.(A synopsis)

BEFORE AMERICA BECAME A LEADING BEACON IN THE ART OF MUSIC OUR MUSICAL HEROS WERE THE GREATS OF THE PAST BEETHOVEN, MOZART AND BACH.

AS OUR COUNTRY BECAME OF AGE MUSICALLY IT A BURNING SEED WAS PLANTED IN THE SOUTH , A small town called New Orleans. This seed grew rapidly in the form of the blues the grandmother of al jazz.

Blues (PRIDE AND JOY SONG)

The first dance craze cam in the form of Dixieland (ORIGINAL DIXIELAND CONCERTO)

Jazz spread through out the country up the Mississippi in the form of Big band (**It' DON'T MEAN A THING...**)

Big band brought people together of all races, religions and creeds. It was now Europe who took our music to heart .(Sprach Zarathustra theme) After the smoke cleared(will use fog machine) of WWII (**Elvis who has his back to the crowd, stands up ,turns toward the crowd and puts his guitar in front**)one man re-awoke the spirit in our hearts and souls a boy from the south, , who came from meager beginnings ,who didn't see color, or race or religion in his eyes.... He saw and feltTHE MUSIC (**JAILHOUSE ROCK**) and America would never be the same.

His name became a household name and he used his star power to help others such as the mission of ST Jude Hospital his during passion to help others less fortunate(**C.C. RIDER /BURING LOVE**)

He spoke and added his voice for peace and harmony between races...His music spoke to us all ... His music was a message .. a place a vision , a dream of what we all can be.

(**IF I CAN DREAM**)

FLUTES

- 3 Hanna aBUZEAD
- 4 Anna de la Torre
- 5 KYLIE McCABE
- 6 REGAN McCABE
- 7 ADRIANA PUENTE
- 8 VICTORIA QUIROGA
- 1 NYREE RUIZ
- 6 NADIA SUAREZ
- 13 SHALOM VILLALPANDO

CLARINETS

- 1 ABI BUKSA
- 2 KATHERINE KARL
- 9 MARIO RENTERIA
- 10 SARA SELEB
- 15 ANDRES TORRES
- 16 DIANA TORRES

SAXOPHONES

- 20 NICK BLOCK
- 21 ALEXIS VEGA
- 22 LANDON WISLER

TRUMPETS

- 17 JULIANNA BARRERA
- 18 SAMUEL FOWLER
- 19 ALEXANDRA MAGALLANES
- 23 MANNY MARTINEZ
- 24 AYANNA WASH

TROMBONES

- 25 INDIGO MOORE
- 26 ADRIAN ROJAS
- 33 BEN PACHOWICZ
- 34 LOGAN HENRIQUEZ

TUBAS

- 27 LIZABETH GONZALEZ
- 32 ANGELO FLORES

DRUMS

- 28 ELIA CHAVEZ
- 29 ALESSANDRA LOPEZ
- 30 EMILANO SOTO
- 14 SEBASTIAN ZUWALA
- 31 ANTOHNY CARTER

FLAGS

- F ELIZABETH AVILA
- F AUDRINA BENTIEZ
- F KENNEDI EDINGTON
- F BERNICE MANUEL
- F JASMINE SARKANOVICH
- F FARY-ANA JACKSON
- F KIMBERLY PADILLA

DRUM MAJORS

- Gabby Merritt
- Arianna Magallanes

RESERVES

JOE MATUSEK- TRUMPET

ANDREW PETERS- TRUMPET

GABY VALLASDOID- CLARINET

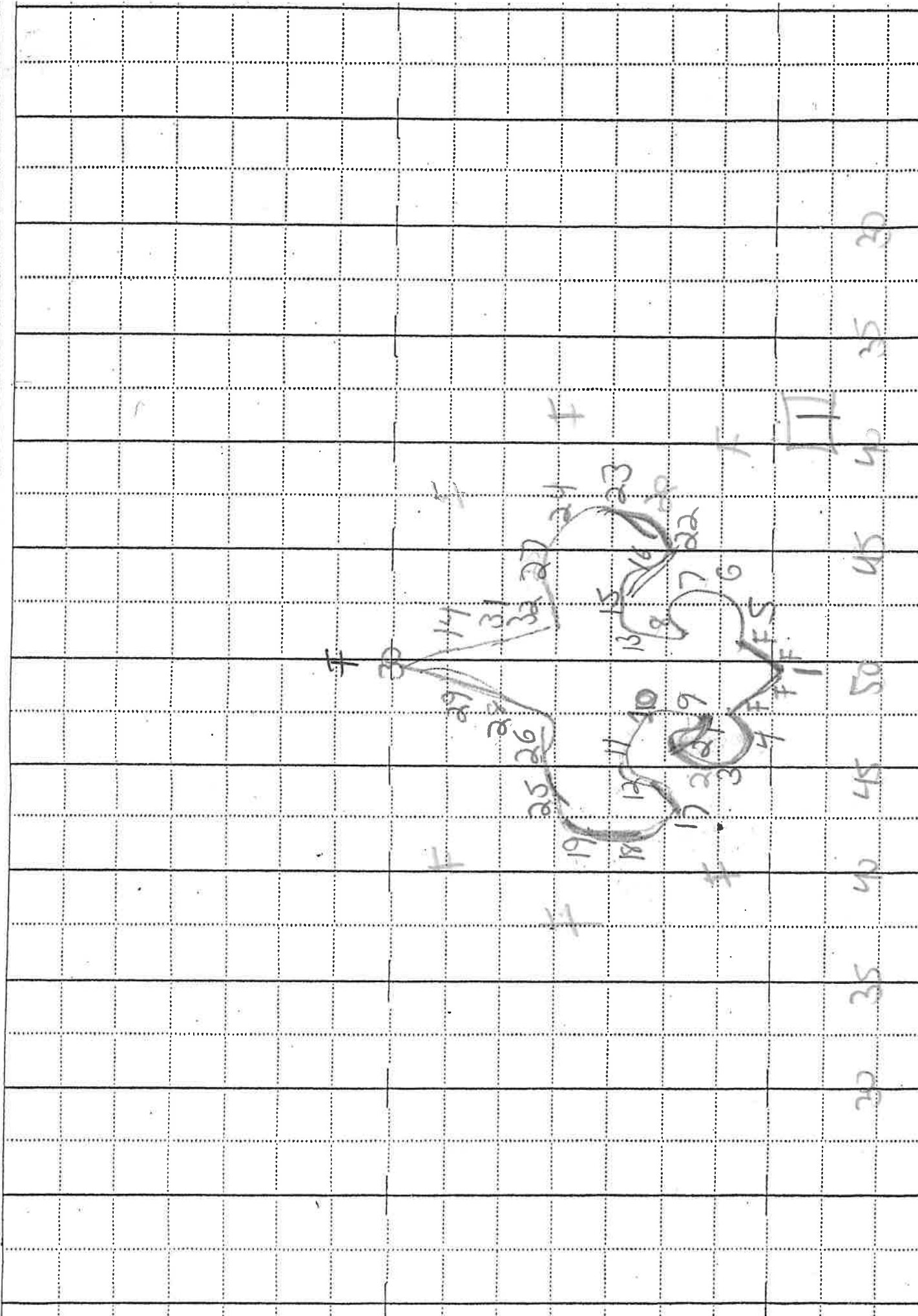
MADDY VARGO- SAXOPHONE

Lizandro contretras DRUMS

JULIANA CORNEJO- FLAGS

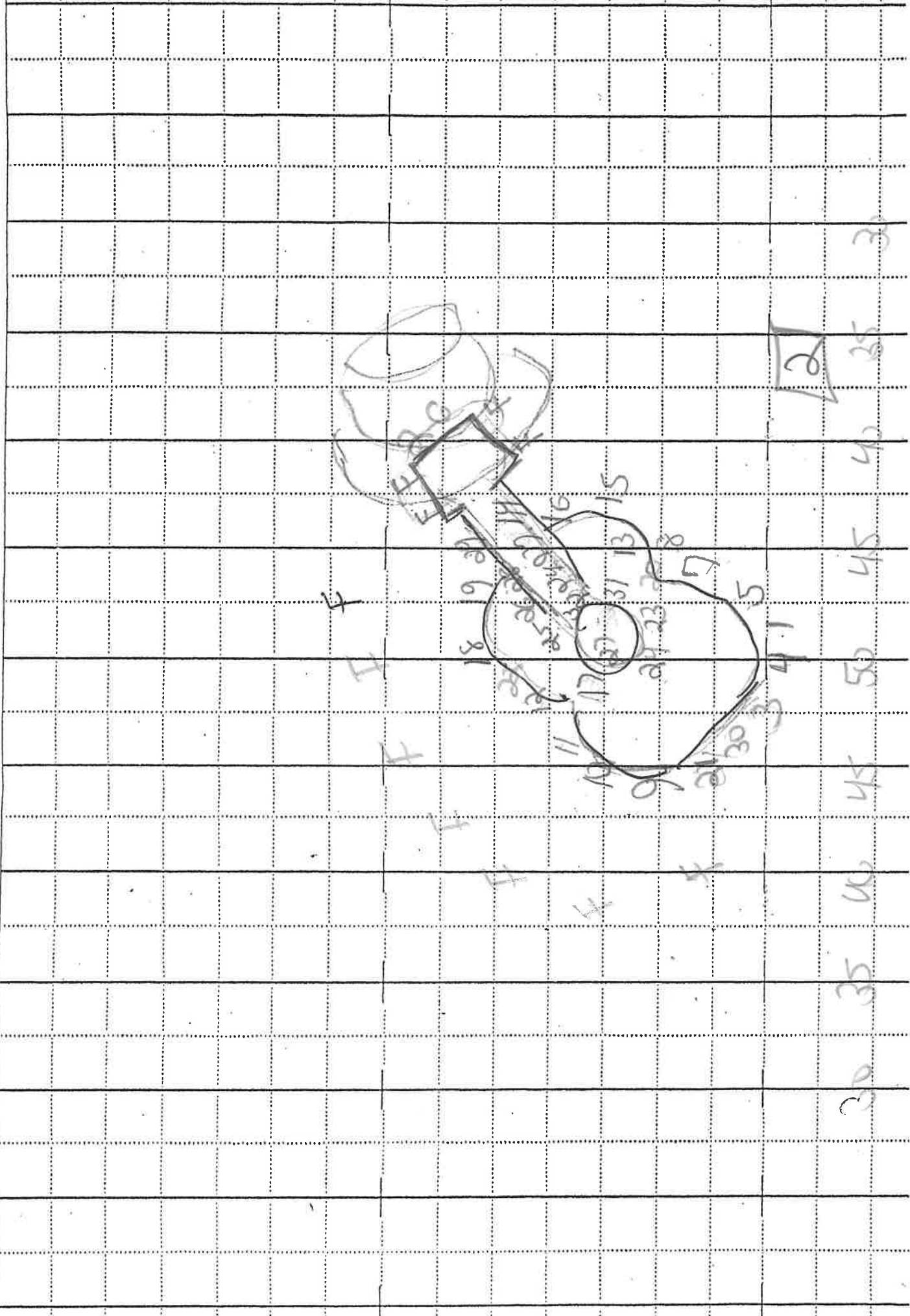
PATTERNS OF MOTION - FIELD PLANNING CHART

Field Position At



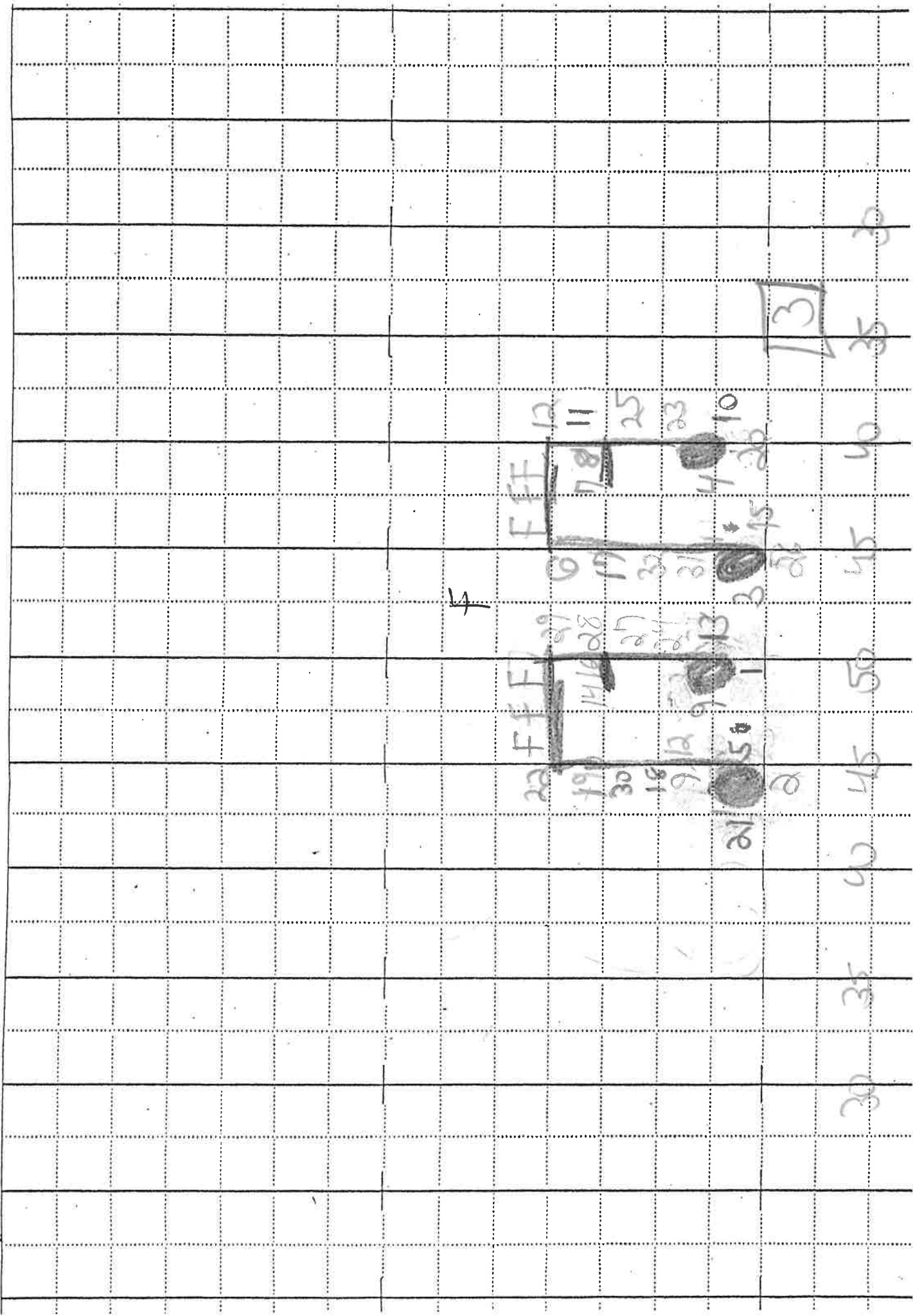
PATTERNS OF MOTION -- FIELD PLANNING CHART

Field Position At



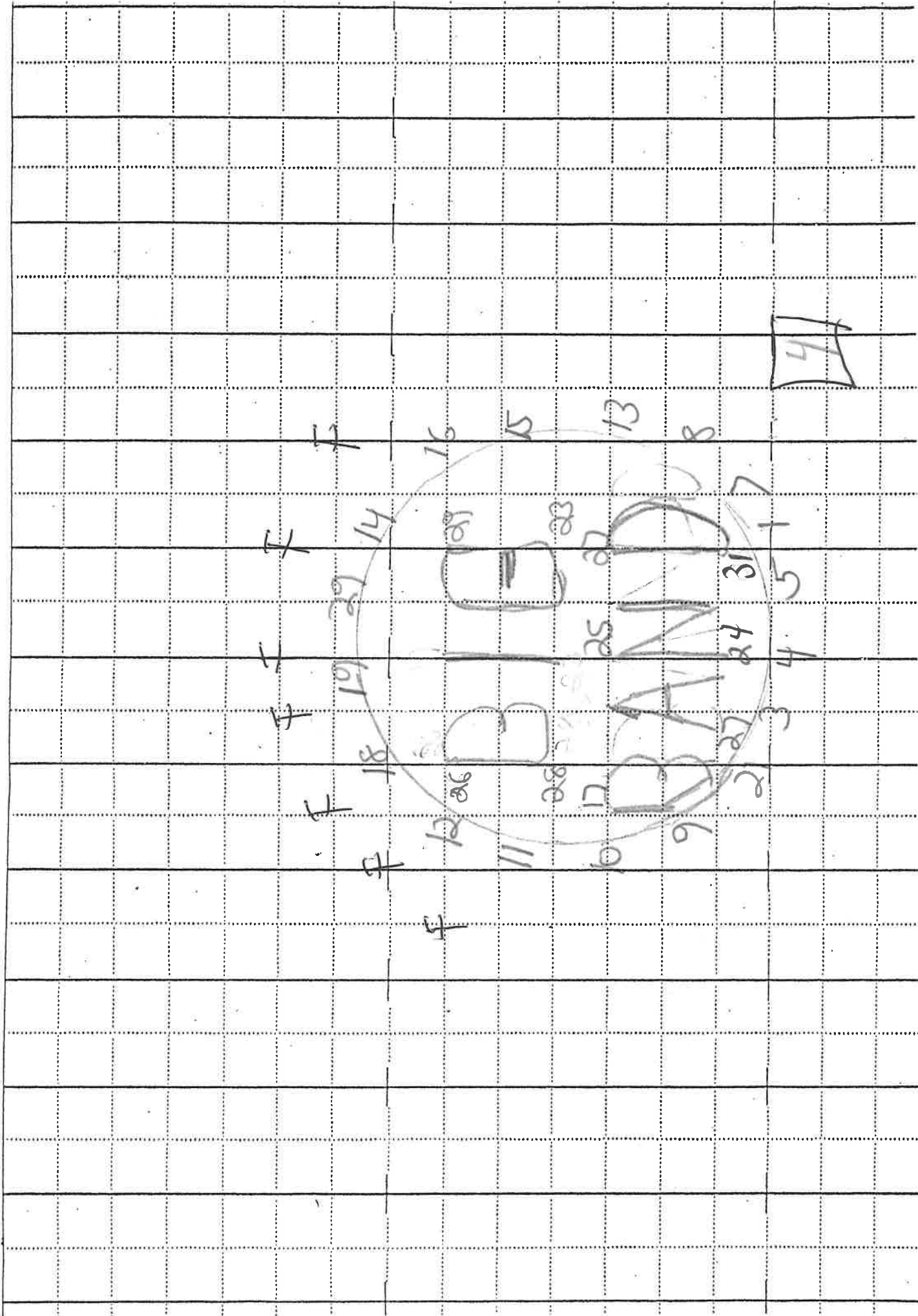
FACTORS OF MOTION - FIELD PLANNING CHART

Field Position At



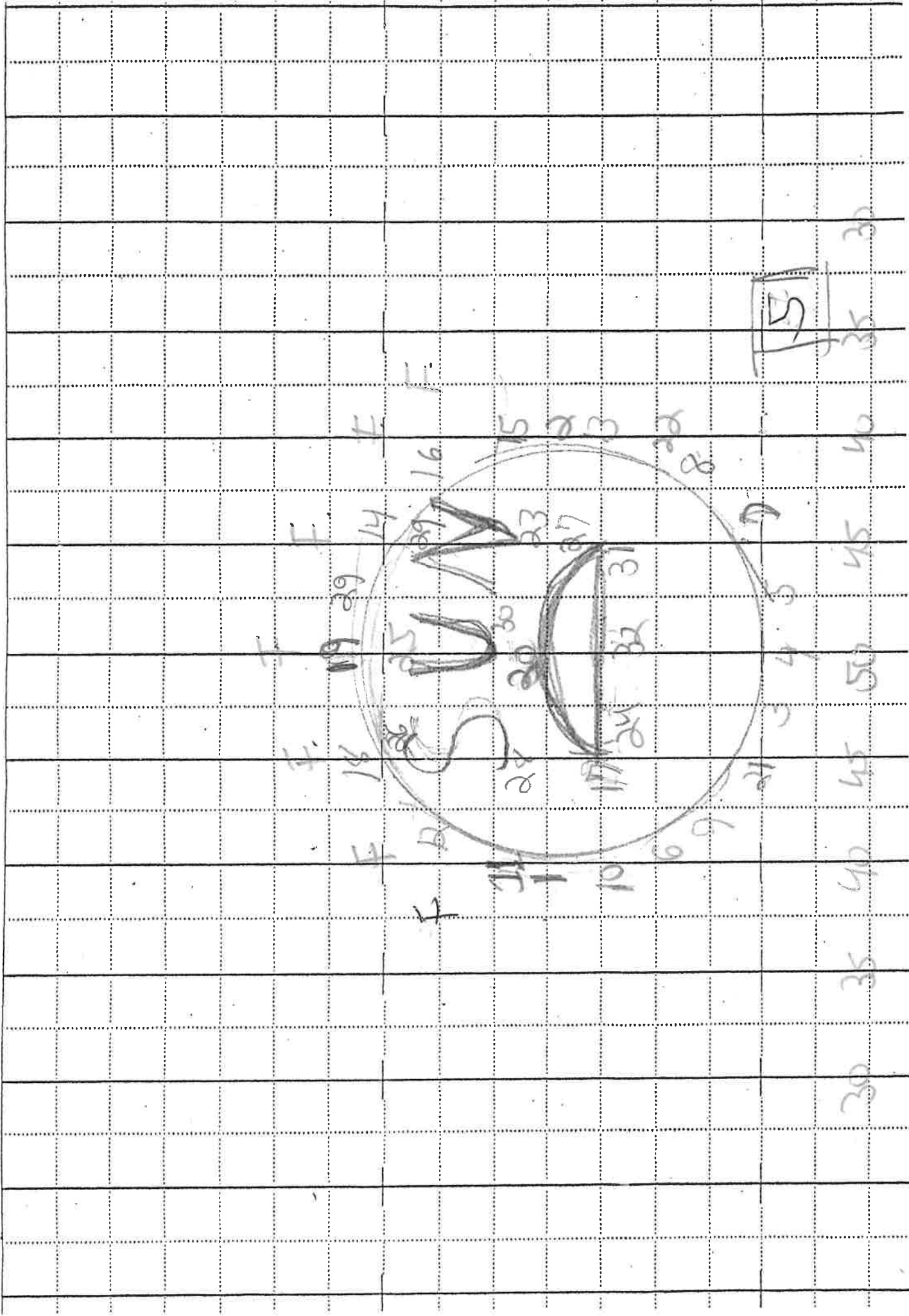
PATTERNS OF MOTION - FIELD PLANNING CHART

Field Position At



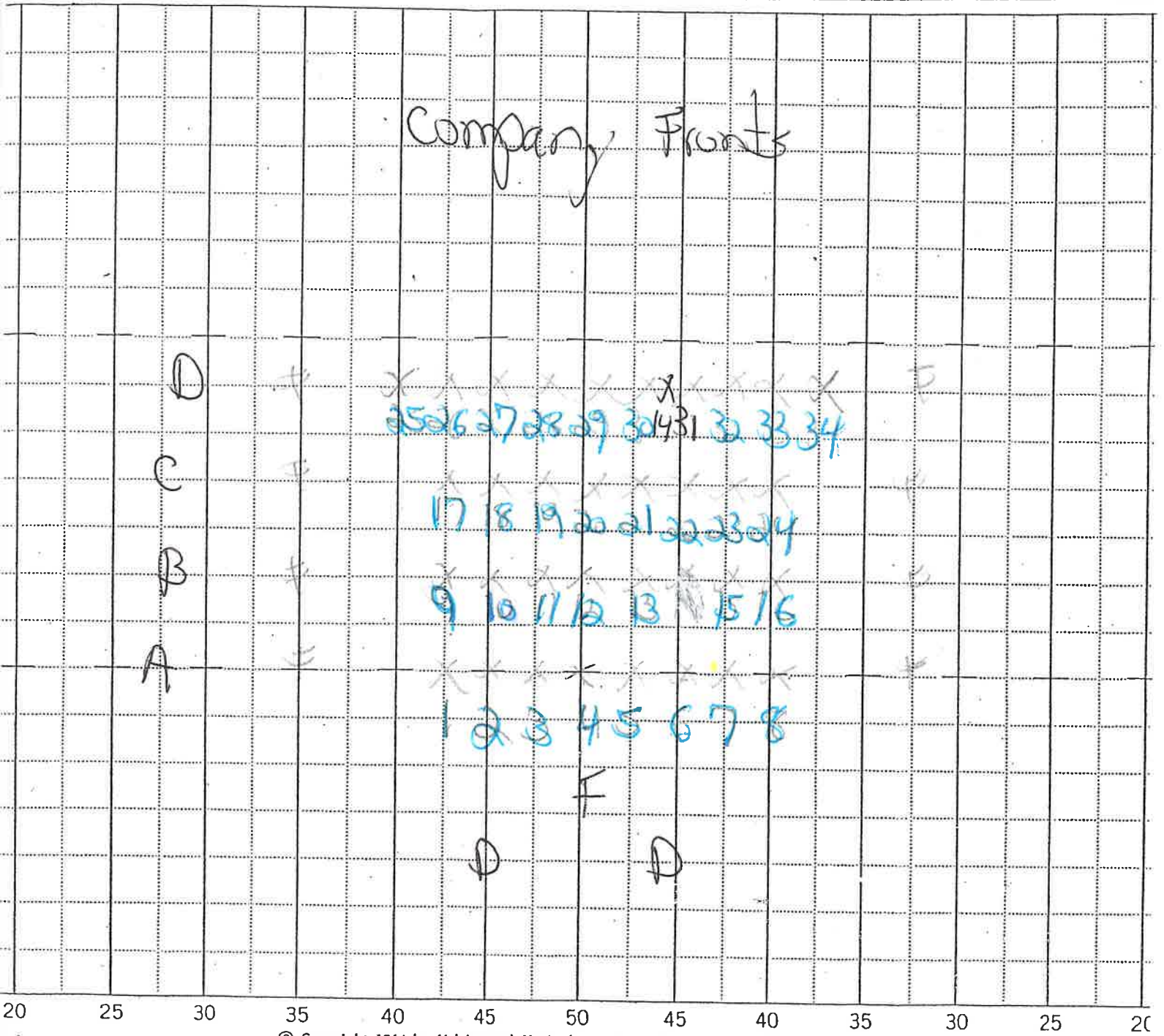
PATTERNS OF MOTION - FIELD PLANNING CHART

Field Position At



PATTERNS OF MOTION - FIELD PLANNING CHART

Field Position At _____



PATTERNS OF MOTION - FIELD PLANNING CHART

Music Title

Field Position At

